


200W Bicolor Temperature Panel Light User Manual



CE RoHS

User Manual

 Please read this user manual before using this product!

Keep it for further reference!

INDEX

I PRODUCT MAIN FEATURES 01

II OVERVIEW AND DIMENSIONS 02

III SAFETY INFORMATION 03

IV POWER CONNECTION..... 04

V CONTROL PANNEL AND KNOBS..... 06

VI DMX PROTOCOL..... 07

VII COMMON INSTRUCTION 07

VIII TECHNICAL SPECIFICATION 08

IX APPENDIX 09

- Net weight: 8.5kg
- Shell color: black
- Housing material: aluminum alloy

IX APPENDIX

Problem and solution

Problem	Reason	Resolution
Device not work	No power	AC100-240V, 50/60Hz Check the power connection, and make sure device connect the mains in well condition. Check if the fuse is good.
LED Bulb is off	LED bulb damaged	Replacing LED bulb
	LED drive board damaged	Replacing LED drive board
	Temperature switch damaged	Replacing temperature switch
Fans not work	Fans damaged	Replacing fans

Caution

- Unqualified person involved with installation, operation and maintenance of this device is prohibited
- If any above mentioned problem happened, or unknown problem happened, please contact manufacturer or distributor for assistance.

Construction

·Body dimension: D484*W75*H294mm

Light Sources

Input voltage: AC100V-AC240V, 50/60HZ;

Rated power: 200W@220V;

LED specifications: 224pcs (5730)high-efficiency 0.5W WW LED+224pcs (5730)high-efficiency 0.5W CW LED, rated life 5000 hours.

Optics

Flare angle: 130degree;

Color: Cold white/Warm white linear color mixing;

Color temperature: 3200K~6000K;

Dimming: 0-100% linear adjustable, smooth dimming without blinking;

Strobe: Independent electronic strobe;

Control

·DMX channel: 3CH

·Control mode: International standard DMX512 signal, 3-pin connector.

·Working temperature

Working temperature: -20° C~40° C

·Protection rating: IP20

Other function

Easy operation, humanization design, dimming without flicker or shake, stable performance;

Advanced heat dissipation system design, natural heat dissipation, ultra-silent;

Master/Slave system, no need to manual setting master/slave mode, automatically receive host data;

Lighting fixture setting parameters;

Temperature control protection: Lighting fixture temperature control protection.

Thank you for using our product! Please read this manual carefully and completely. For
08

technical reference in future, please keep this user manual well. This user manual contains all installation and operation information of this Colorful LED Soft Video Panel Light, it's very useful for user to install and operate the light. Please strictly abide by the relevant instruction for the installation and operation.

This light has very beautiful appearance. Based on the LED Film and Television Flat Light Technology, using high brightness SMD LED chips beads matrix arrangement of large area, through the whole aluminum shell to realize heat dissipation naturally, we have designed this light. This light has high brightness, good heat dissipation, ultra-quiet and other features. It can satisfy the requirement of indoor movie filming for the lighting layout. It is a good substitute of the traditional Fresnel spot light, which is very suitable for the studio room, TV station, Meeting room, stage, show and other entertainment places.

This light meets the following criteria:

GB7000.1-2007/IEC60598-1:2003

GB7000.217-2008/IEC60598-2-17:1984+A2:1990

I PRODUCT MAIN FEATURES

The light's lighting function is controlled by DMX-512, very convenient;

Using international standard (1990) DMX single, digital control panel display;

With 3CH DMX channel control modes;

Dimmer: 0-100% linear adjustable, smooth dimming without blinking;

CRI more than 95, 3200-6000K color temperature optional, light effective distance is 3~15 meters;

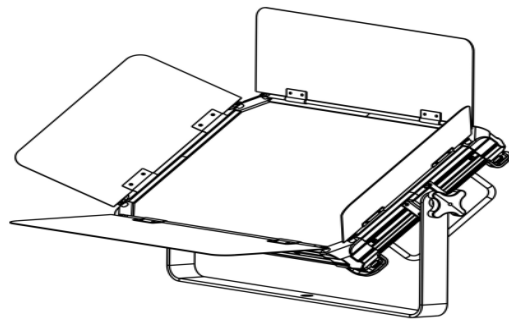
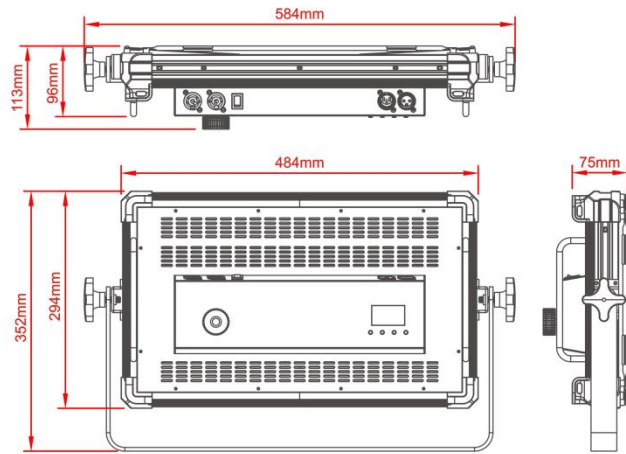
Cast aluminum radiator, equips copper tube radiator, no need fan cooling, realize the silent, intelligent temperature control system, improve the quality of our products stable

performance, apply to indoor installation.

Using brand LED chips, integrated encapsulation, improve reliability and long lifespan.

Using the advanced optical reflective material, make the light on the projection distance and brightness is higher than traditional film soft light.

II OVERVIEW AND DIMENSIONS



All dimensions are in millimeters

a 02 :ode will be controlled by the console.

VI DMX PROTOCOL

3CH

DMX CH	DMX Value	Function
CH1	000←→255	Dimmer CW、WW dimmer all, linear dimming, from dark to bright
CH2	000←→255	CW dimmer CW dimmer, linear dimming, from dark to bright
CH3	000←→255	WW dimmer WW dimmer, linear dimming, from dark to bright

VII COMMON INSTRUCTION

The light uses international 3 pins DMX signal cannon for DMX in and DMX out;

The light uses digital display to show the parameter. If there is no DMX in, the display will shows the information which you can check from the menu map.

In fact, the light has three DMX channels modes, and different bit. please refer the DMX channel chart.

This light uses intelligent full aluminium shell for the heat dissipation, through the electronic temperature detection ensure the stability of the circuit at any time;

This light is only for indoor use, when you install it by hanging, please use the safety cable to ensure the safety.

If you have any questions, please contact with our sales manager.

similar rigging structure in any orientation using a rigging clamp.

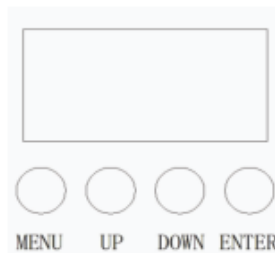
When suspending the fixture above ground level, verify that the structure can hold at least 10 times the weight of all installed devices.

Verify that all external covers and rigging hardware are securely fastened and use an approved means of secondary attachment such as a safety cable.

V CONTROL PANNEL AND KNOBS

BUTTON OPERATION

- 1) MENU: To return to the previous menu.
- 2) ENTER: Enter to the next menu or save.
- 3) UP: Menu selection or increasing the parameter.
- 4) DOWN: Menu selection or decreasing the parameter.



MENU FUNCTION INTRODUCTION

Number	Display	Function
1	DMX-Addr	2 channel DMX address (001—512) 、 B C button to increase or decrease the value of DMX address
2	Rotary-ADJ	0-255 from dark to bright
3	Key-ADJ	channel DMX address (0-255) 、 B C button to increase or decrease the value of DMX address
4	Strobe	strobe (0-255) 、 B C change strobe speed
5	Display rotate	display rotate 180 degree
6	LANGUAGE	Chinese or English

ILLUSTRATION:

In the DMX address code, multi projectors connected, can be in master-slave mode if not connected to console. Operate one projector, others equipments will follow the main engine to run the program(DMX address 001). Connect the console and receive the console signal, address code D will change to be A, the projectors which are in DMX

III SAFETY INFORMATION

※ Important

Every person involved with the installation, operation and maintenance of this device has to be qualified and follow the instructions of this manual. Manufacturer will not with responsibility for those operations which are not according to this Instruction.

Verify that the voltage matches the rated voltage.

When the voltage is 110V, Do not connect more than 10 lightings in total to AC mains power in one interconnected daisy chain

When the voltage is 220V, Do not connect more than 20 lightings in total to AC mains power in one interconnected daisy chain

Before using the fixture, check that all power distribution equipment and cables are in perfect condition and rated for the current requirements of all connected devices.

Always ground (earth) the fixture electrically.

Avoiding hit the Light when you are move or install the light.

The minimum distance between light-output and the illuminated surface must be more than 0.5 meters. Keep all combustibile materials (for example fabric, wood, paper) at least 0.2 meters away from the fixture.

Do not expose the fixture to rain or moisture.

Avoid looking directly into the light source (especially those who suffer from epileptic fits)

Maximum ambient temperature (Ta) is 40°C. Do not operate fixture at temperatures higher than this.

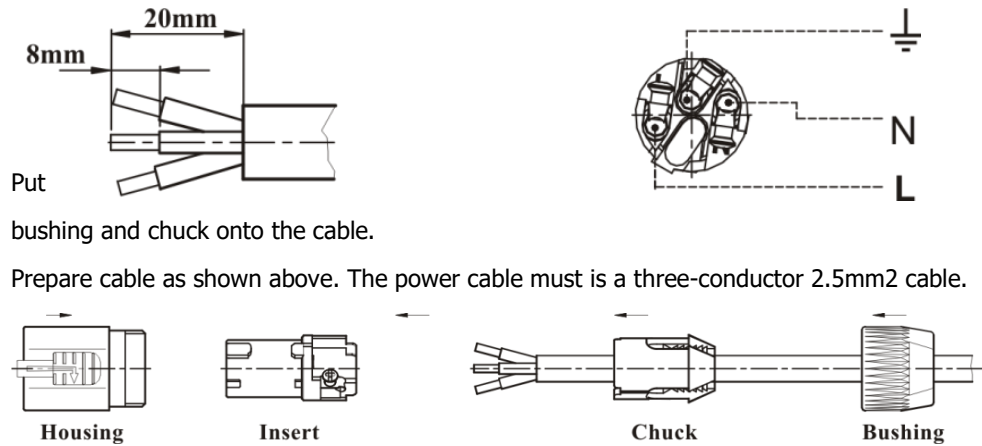
The Maximum surface temperature is 50°C

When suspending the fixture above ground level, verify that the structure can hold at least 10 times the weight of all installed devices.

Verify that all external covers and rigging hardware are securely fastened and use an approved means of secondary attachment such as a safety cable.

POWER CONNECTION

INSTALLING A NENUTRIK CONNECTOR ON A POWER CABLE

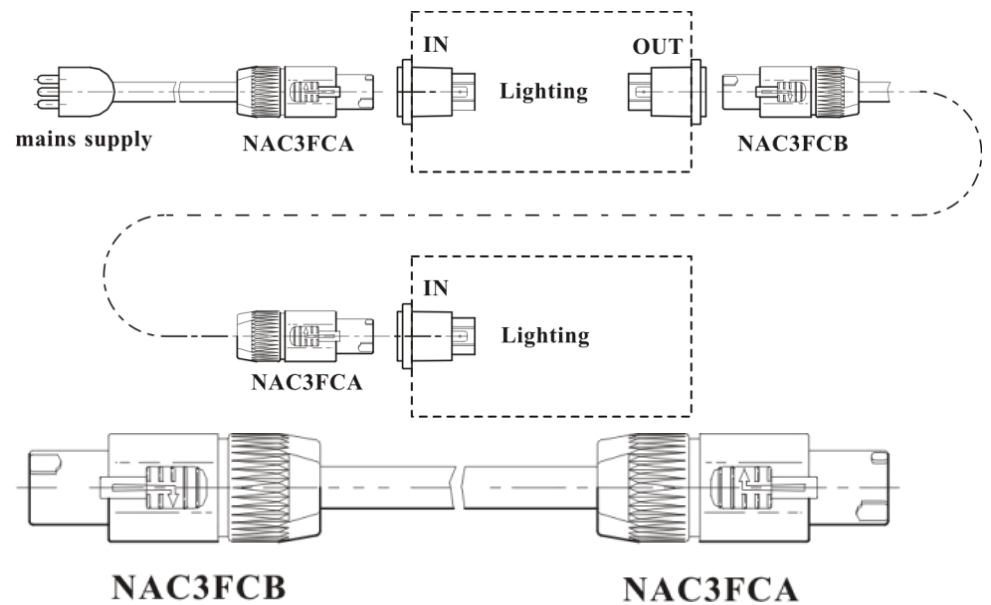


Insert the wire into the terminals and fasten the clamping device by a flat screw driver.
 Push insert and chuck into housing (pay attention to the guiding keyway).
 Fasten bushing.

The color-coding schemes and some possible pin identification schemes; if pins are not clearly identified, or if you have any doubts about proper installation, consult a qualified electrician.

RELAYING POWER TO OTHER DEVICES

The lightings can be linked in a chain by power cables which installed a blue and a light-gray connectors on the two ends. The light-gray connector connects to the power out socket of the first lighting, and the blue connector connects to the power in socket of the subsequent lighting, and so on.



The power cable must be a three-conductor 2.5mm² cable.
 When the voltage is 110V, Do not connect more than 10 lightings in total to AC mains power in one interconnected daisy chain.
 When the voltage is 220V, Do not connect more than 20 lightings in total to AC mains power in one interconnected daisy chain.

Wire color	Conductor	Symbol
Brown	Live	L
Blue	Neutral	N
Yellow/green	ground	⏏

PHYSICAL INSTALLATION

This lighting can be placed on a horizontal surface such as a stage or clamped to a truss or